

www.imexlasers.com

9 342649 001798 6



012-LX25GP

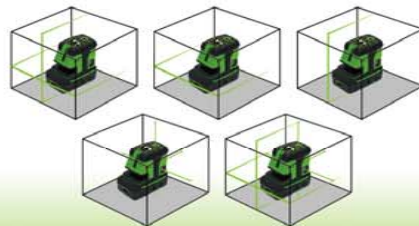
105mm

2YR
WARRANTY



LX25GP

Green Beam
Cross Line 5 Dot Laser



User Quick Guide

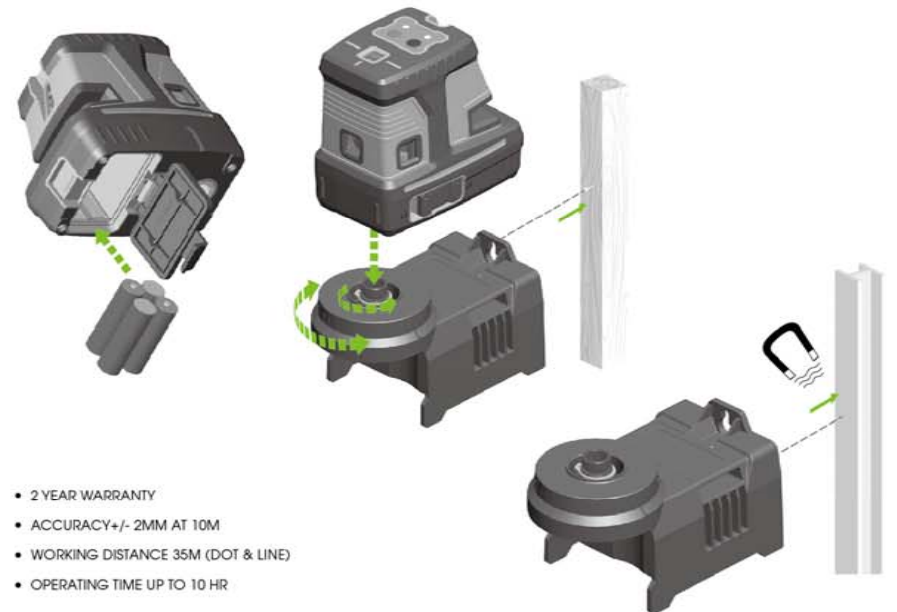
105mm



1. LASER ON/OFF/MODE SWITCH
2. PULSE/POWERSAVE MODE
3. Lock On/Low Voltage Indicator
4. Pulse/Powersave Mode Indicator



WARNING LASER RADIATION
DO NOT STARE INTO BEAM CLASS 2 LASER
WAVELENGTH 630nm-670nm
Complies with 21CFR 1040.10 and 1040.11
except for deviations pursuant to Laser
Notice No.50, dated July 26, 2001



- 2 YEAR WARRANTY
- ACCURACY +/- 2MM AT 10M
- WORKING DISTANCE 35M (DOT & LINE)
- OPERATING TIME UP TO 10 HR